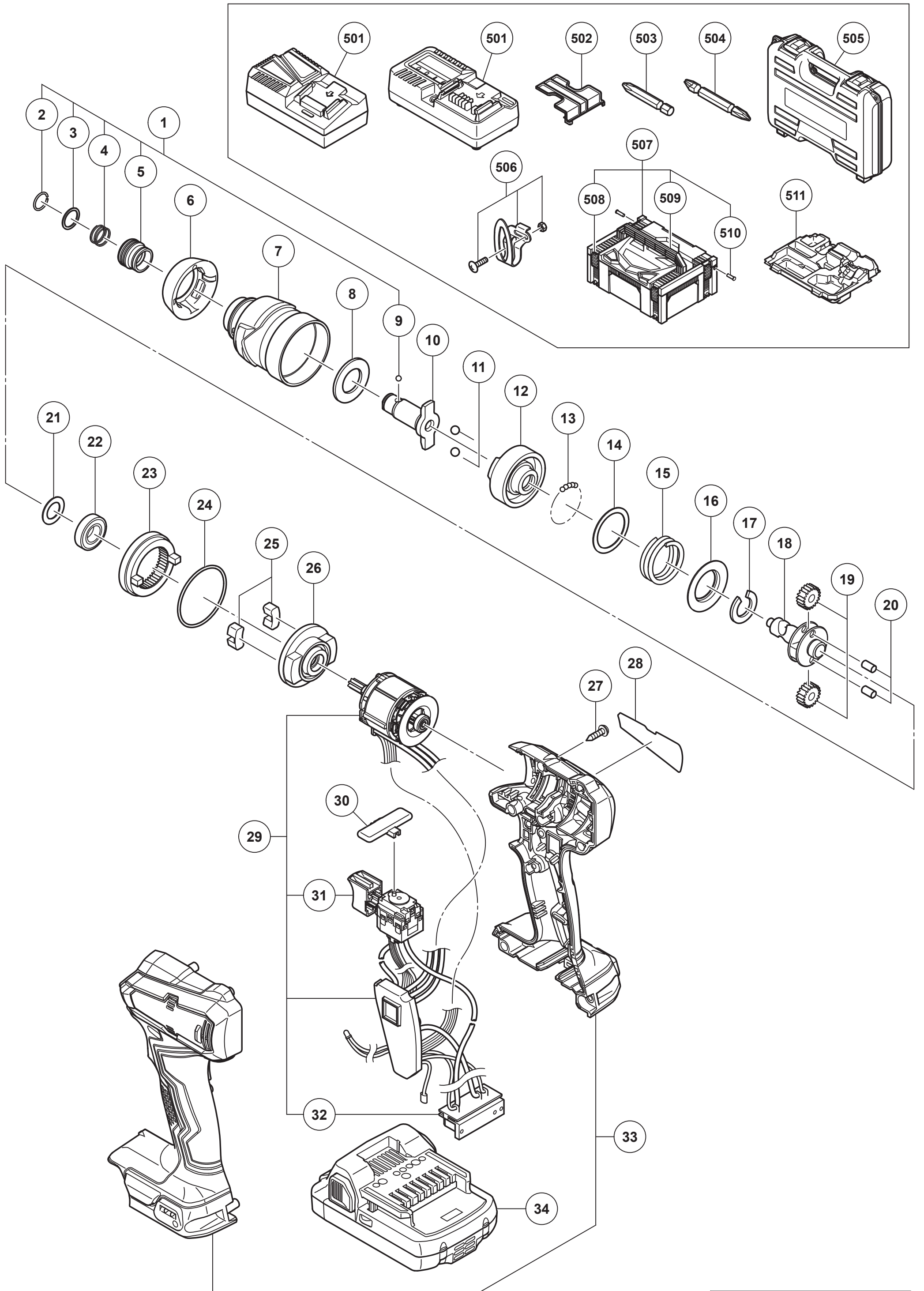


HIKOKI

CORDLESS DRIVER DRILL DS18DD

Item No.	Code No.	Description	No. Used	Remarks
1	337426	LEFT-HAND HEXALOBULAR M5	1	
2	376359	DRILL CHUCK 13TLRA-N	1	
3	374383	GEAR BOX (A)	1	
4	313687	TAPPING SCREW (W/FLANGE) D3X16 (BLACK)	8	
5		NAME PLATE	1	
6	376360	WIRING ASS'Y	1	
7	374399	PUSHING BUTTON	1	
8	376362	DC-SPEED CONTROL SWITCH	1	
9	374382	SHIFT KNOB	1	
10	376361	BATTERY TERMINAL	1	
11	376357	HOUSING (A).(B) SET	1	
*12	333352	BATTERY BSL 1815 (EUROPE)	2	INCLUD.502
*12	339783	BATTERY BSL 1830C (EUROPE,AUS,NZL)	2	INCLUD.502
*12	376029	BATTERY BSL 1850C (EUROPE,AUS,NZL)	2	INCLUD.502
		STANDARD ACCESSORIES		
*501		CHARGER (MODEL UC18YKSL)	1	
				FOR CHN,SIN,MAL,AUS,NZL,TPE
*501		CHARGER (MODEL UC18YFSL)	1	
				FOR EUROPE
502	329897	BATTERY COVER	1	
503	983006	+ DRIVER BIT NO.2 65L	1	
504	336642	CASE	1	
505	376358	HOOK SET	1	
506	336471	CASE ASS'Y (STACKABLE 2)	1	INCLUD.507-509
507	336472	LATCH	4	
508	336473	HANDLE	1	
509	336474	HINGE	2	
510	376502	INNER TRAY	1	

* ALTERNATIVE PARTS



HIKOKI

CORDLESS IMPACT DRIVER WH18DD

Item No.	Code No.	Description	No. Used	Remarks
1	375143	GUIDE SLEEVE ASS'Y	1	INCLUD.2-5,9
2	330619	RETAINING RING	1	
3	330856	WASHER (D)	1	
4	331284	GUIDE SPRING (D)	1	
5	322717	GUIDE SLEEVE (D)	1	
6	337360	FRONT CAP	1	
7	375003	HAMMER CASE	1	
8	336639	WASHER (F)	1	
9	319535	STEEL BALL D3.5 (10 PCS.)	2	
*10	374395	ANVIL (A)	1	
*10	374396	ANVIL (B)	1	FOR EUROPE,AUS,NZL
11	959154	STEEL BALL D5.556 (10 PCS.)	2	
12	375958	HAMMER	1	
13	959148	STEEL BALL D3.175 (10 PCS.)	28	
14	315978	WASHER (J)	1	
15	376565	HAMMER SPRING	1	
16	316172	WASHER (S)	1	
17	322740	STOPPER (A)	1	
18	375957	SPINDLE	1	
19	376564	IDLE GEAR SET (2 PCS.)	2	
20	324234	NEEDLE ROLLER (A)	2	
21	319911	WASHER (E)	1	
22	6901VV	BALL BEARING 6901VV	1	
23	331858	RING GEAR (A)	1	
24	334412	O-RING	1	
25	329517	DAMPER (A)	2	
26	374393	INNER COVER	1	
27	313687	TAPPING SCREW (W/FLANGE) D3X16 (BLACK)	9	
28		NAME PLATE	1	
29	376562	WIRING ASS'Y	1	INCLUD.31,32
30	374399	PUSHING BUTTON	1	
31	376362	DC-SPEED CONTROL SWITCH	1	
32	376361	BATTERY TERMINAL	1	
33	376561	HOUSING (A).(B) SET	1	
*34	333352	BATTERY BSL 1815 (EUROPE)	2	INCLUD.502
*34	339783	BATTERY BSL 1830C (EUROPE,AUS,NZL)	2	INCLUD.502
*34	376029	BATTERY BSL 1850C (EUROPE,AUS,NZL)	2	INCLUD.502
		STANDARD ACCESSORIES		
*501		CHARGER (MODEL UC18YKSL)	1	
*501		CHARGER (MODEL UC18YFSL)	1	
502	329897	BATTERY COVER	1	
*503	992671	+ DRIVER BIT (B) NO.2 50L	1	FOR EUROPE,AUS,NZL
*504	983006	+ DRIVER BIT NO.2 65L	1	FOR CHN,TPE,SIN,MAL
505	336642	CASE	1	
506	376358	HOOK SET	1	
507	336471	CASE ASS'Y (STACKABLE 2)	1	INCLUD.508-510
508	336472	LATCH	4	
509	336473	HANDLE	1	
510	336474	HINGE	2	
511	376502	INNER TRAY	1	
		OPTIONAL ACCESSORIES		
*601	992672	+ DRIVER BIT (B) NO.3 50L	1	FOR EUROPE,AUS,NZL
*602	983011	+ DRIVER BIT NO.3 65L	1	FOR CHN,TPE,SIN,MAL

* ALTERNATIVE PARTS

HIKOKI**CORDLESS IMPACT DRIVER WH18DD**

Item No.	Code No.	Description	No. Used	Remarks
*603	955657	- DRIVER BIT (A) 3MMX70L	1	FOR CHN,TPE,SIN,MAL
*604	955659	- DRIVER BIT (A) 4MMX70L	1	FOR CHN,TPE,SIN,MAL
*605	955674	- DRIVER BIT (A) 6MMX70L	1	FOR CHN,TPE,SIN,MAL
606	321823	DRILL CHUCK AND ADAPTER SET	1	INCLUD.607,608
607	307543	CHUCK ADAPTER	1	
608	987575	CHUCK WRENCH FOR 10VLB-D,10VLR-D	1	
609	309922	GREASE (ATTOLUB MS NO.2) 500G	1	
610	325149	GREASE (MOLUB-ALLOY NO.777-1) 75G	1	
611	306927	SILICONE RUBBER	1	
*612	996177	NON-MAGNETIC HEX. SOCKET 8MM 65L	1	FOR EUROPE,AUS,NZL
*613	985329	NON-MAGNETIC HEX. SOCKET 10MM 65L	1	FOR EUROPE,AUS,NZL
*614	996178	NON-MAGNETIC HEX. SOCKET 12MM 65L	1	FOR EUROPE,AUS,NZL
*615	996179	NON-MAGNETIC HEX. SOCKET 13MM 65L	1	FOR EUROPE,AUS,NZL
*616	996180	NON-MAGNETIC HEX. SOCKET 14MM 65L	1	FOR EUROPE,AUS,NZL
*617	996181	NON-MAGNETIC HEX. SOCKET 16MM 65L	1	FOR EUROPE,AUS,NZL
*618	996182	NON-MAGNETIC HEX. SOCKET 17MM 65L	1	FOR EUROPE,AUS,NZL
*619	996197	HEX. SOCKET (LONG) 21MMX166L	1	FOR EUROPE,AUS,NZL

* ALTERNATIVE PARTS